

VICSB8 / VICSB8X

CEILING LOUDSPEAKERS

In-ceiling Subwoofer w/ Back Can & Tile Bridge



PRODUCT OVERVIEW

VICSB8 is an in-ceiling subwoofer reinforcement loudspeaker with a great sound performance. It features an 8" woofer, 80WRMS @ 8ohm nominal power and 70/100V line transformer with 60/30/15/7.5/3.75W power connections. It integrates a crossover filter, and includes a metallic alloy grill ready to be painted if needed. VIC series provide a careful selection of components in a user-friendly design that seeks speed and versatility of installation on any surface, while maintaining excellent sound quality.

VICSB8X shares the same features as VICSB8, and includes Back Can and Tile Bridge to provide more flexibility and versatile installation choices.

KEY FEATURES

- 8" subwoofer
- 80WRMS @ 8Ω
- Power selector: 60 / 30 / 15 / 7.5 / 3.75W @ 70/100V & 8Ω position
- Sensitivity (1W/1m): 87 dB SPL
- Metallic alloy paintable grill
- Diameter: 282mm
- Depth: 135mm (VICSB8) ; 200mm (VICSB8X)
- Colour: White, RAL9010
- Back can (only VICSB8X)
- Tile bridge (only VICSB8X)

APPLICATIONS

- Corporate and residential buildings
- Commercial premises
- Leisure centres
- Sound reinforcement in clubs, bars, etc.
- Health and sport centres
- Auditorium, museums
- 5.1 and 7.1 surround systems

ACCESSORIES AND COMPATIBLE DEVICES

- VIC6/ VIC6X & VIC8/ VIC8X
- AVICSG
- AVICCAN8L

TECHNICAL SPECIFICATIONS

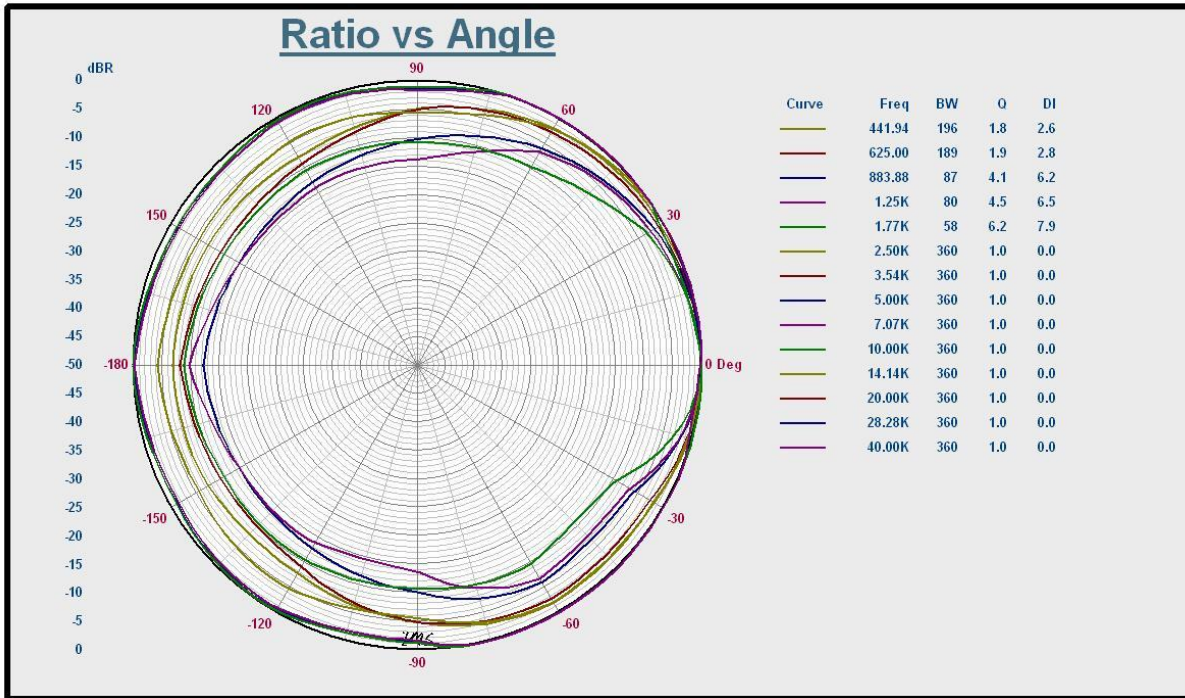
VICSB8 & VICSB8X

System	
Effective frequency range ¹	35Hz – 2kHz (with crossover)
Power handling	80 W RMS / 320 W Peak
Sensitivity ²	87 dB (1W/1m)
Power options	100V: 60W / 30W / 15W / 7.5W / 8Ω 70V: 60W / 30W / 15W / 7.5W / 3.75W / 8Ω
Recommended amplifier power	160 W RMS
Transducers	
Ways	1-way subwoofer
Driver	LF 8" woofer
Nominal impedance	8Ω
Physical	
Installation options	Ceiling
Grille material	Aluminium, paintable
External diameter	282 mm / 11.10"
Internal diameter	245 mm / 9.64"
Recommended cut out diameter	246 mm / 9.69"
Required depth	VICSB8: 135 mm / 5.31" VICSB8X: 200 mm / 7.87"
Finished color	White (RAL 9010)
Ceiling thickness	10mm / 0.39" min 50mm / 1.97" max
Included accessories	VICSB8X: Back-can and tile bridge
Dimensions (ØxD)	VICSB8: 282x135mm / 11.1"x5.3" VICSB8X: 282x200mm / 11.1"x7.9"
Weight	VICSB8: 3.2 kg / 7.05 lb VICSB8X: 3.9 kg / 8,59 lb

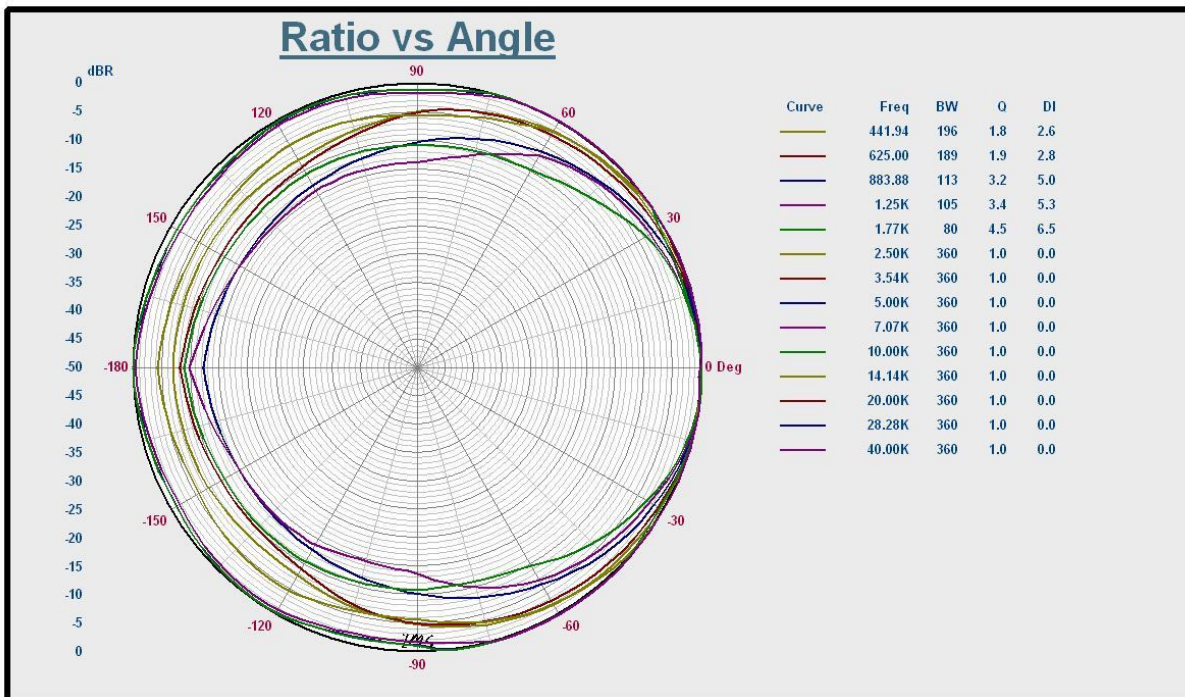
¹10dB below the sound pressure level at specified sensitivity

²Measured on-axis, far field and referenced to 1 meter by inverse square law. Average from 100 Hz to 1 kHz.

VICSB8

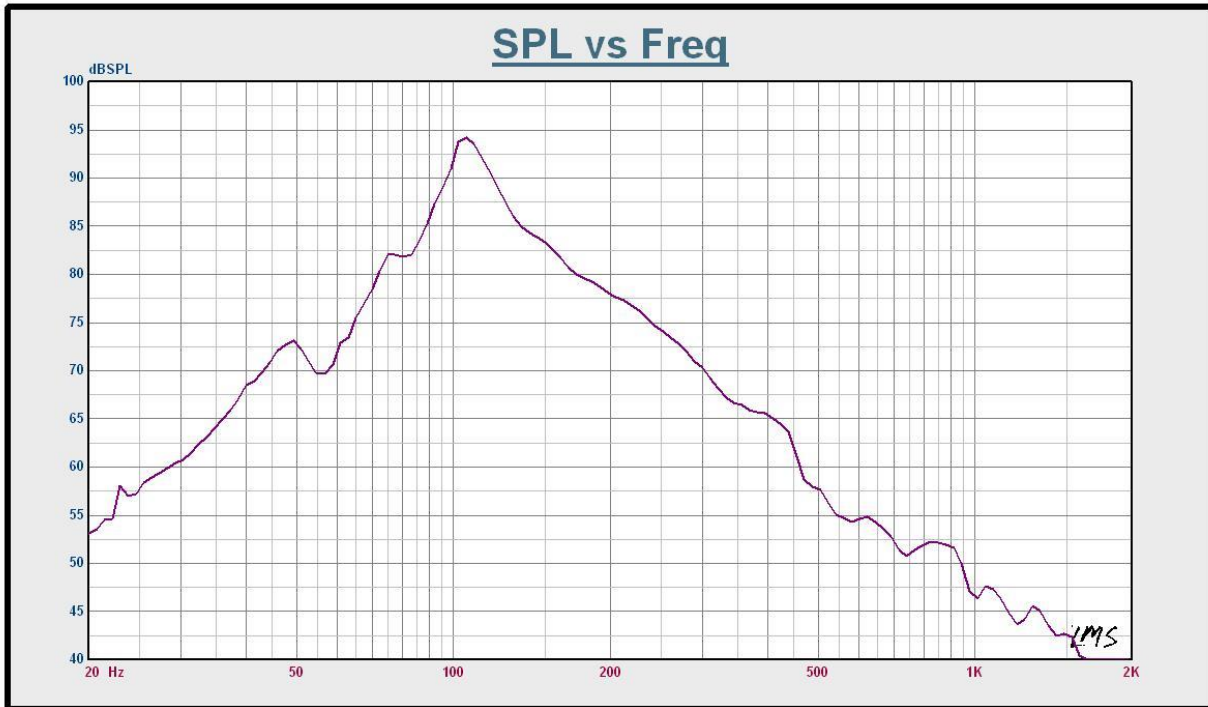


VICSB8X

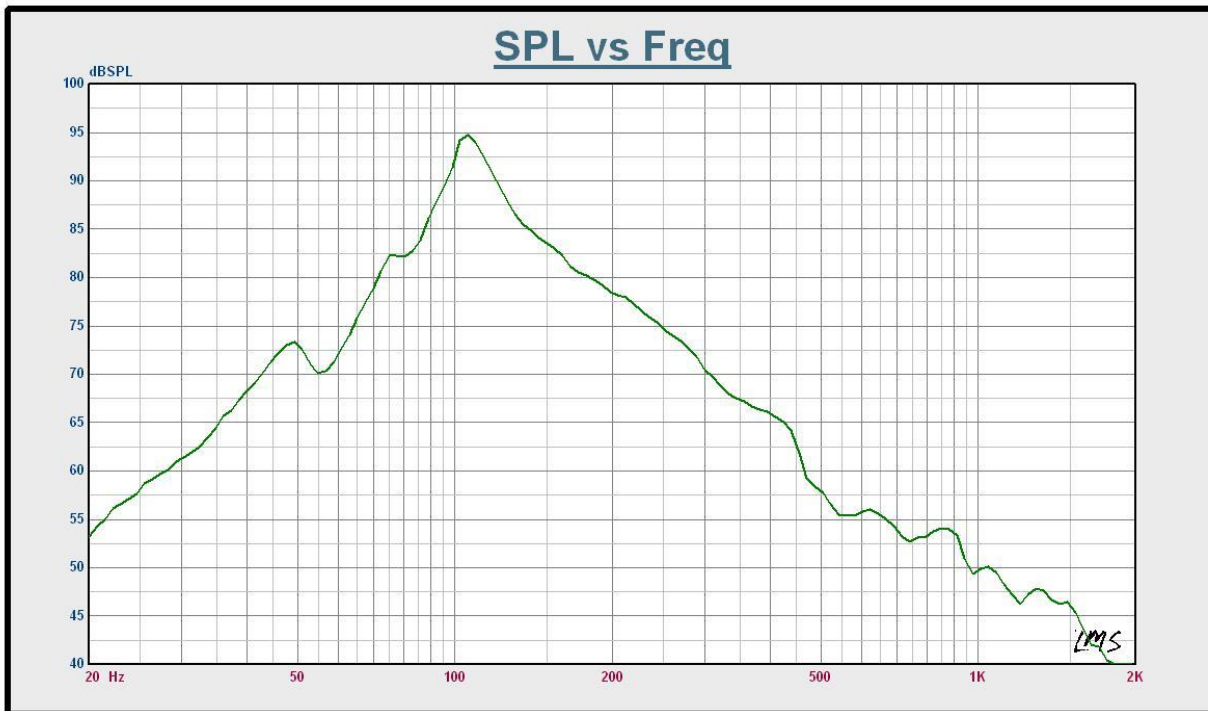


FREQUENCY RESPONSE

VICSB8

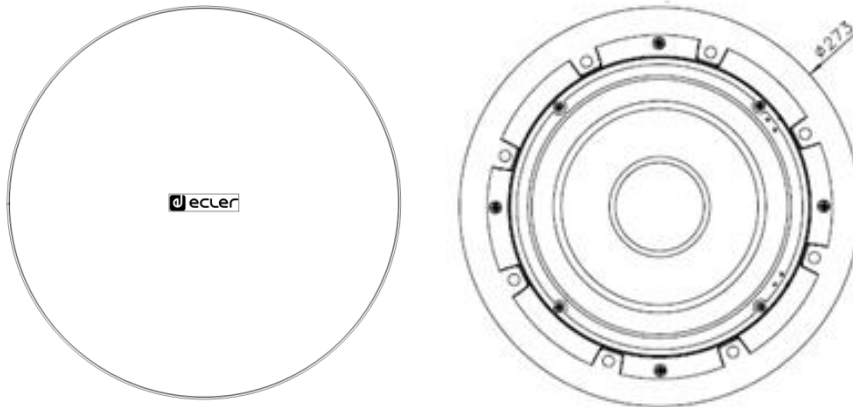


VICSB8X

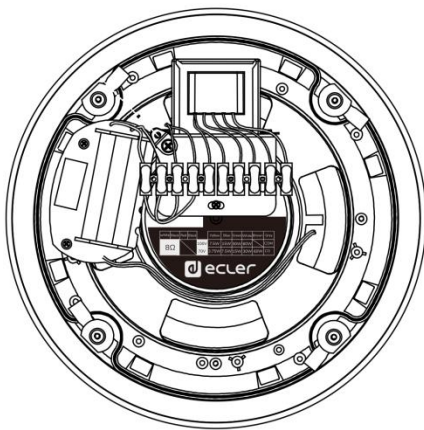


MECHANICAL DIAGRAMS

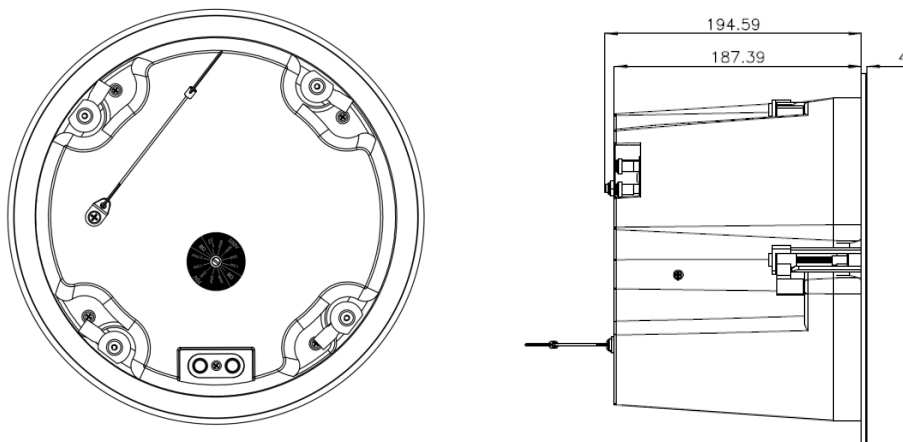
Front & grill view:



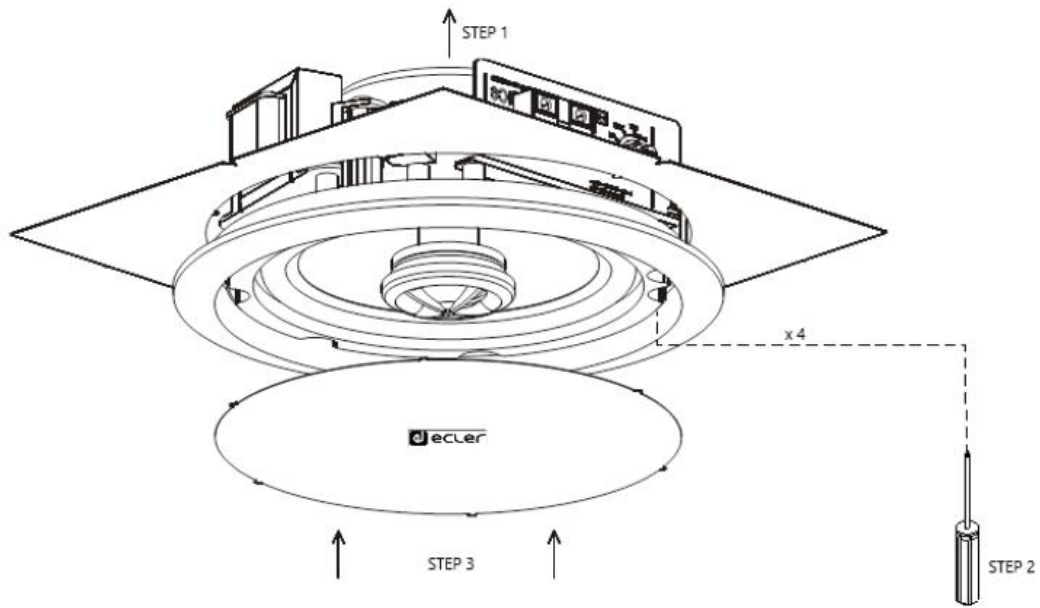
VICSB8 rear view:



VICSB8X lat & rear view:



MOUNTING DIAGRAM





All product characteristics are subject to variation due to production tolerances. **NEEC AUDIO BARCELONA S.L.** reserves the right to make changes or improvements in the design or manufacturing that may affect these product specifications.

For technical requests address to your supplier, distributor or fill the contact form in our website, at Support / Technical Request.

Motors, 166-168 08038 Barcelona - Spain - (+34) 932238403 | information@ecler.com | www.ecler.com